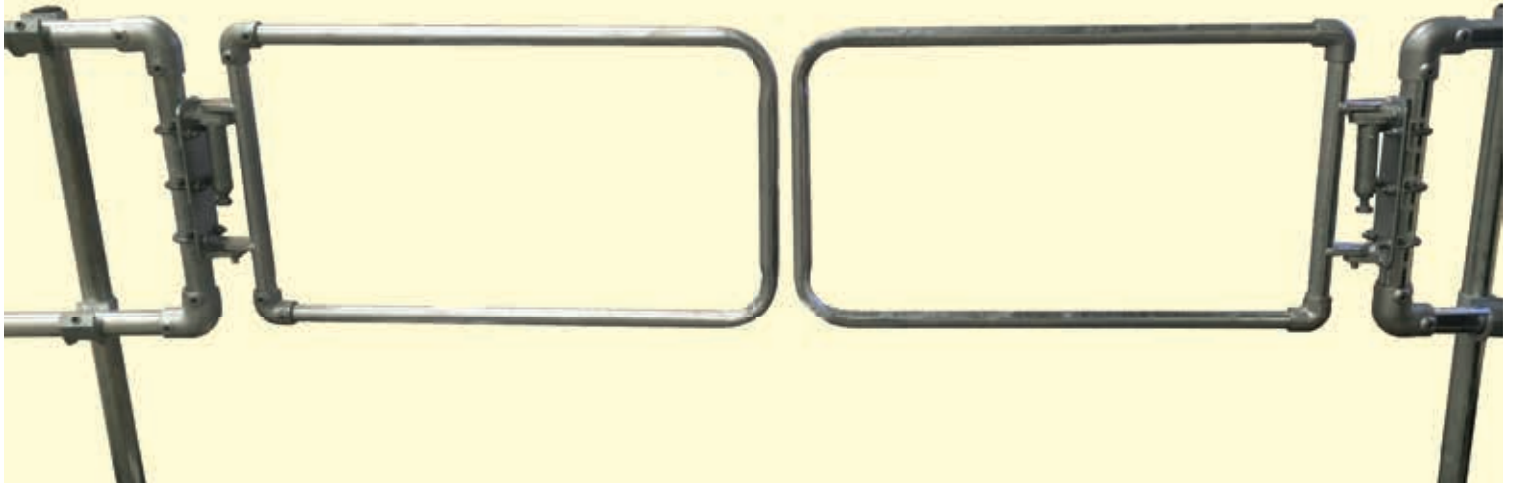




RELIABLE SAFE ACCESS

Safety Gate Solutions



- SINGLE, DOUBLE AND PALLET WIDTH GATES
- SIMPLE CONSTRUCTION, EASY TO ASSEMBLE
- PERFORMANCE TESTED FOR TROUBLE FREE OPERATION
- FULLY ADJUSTABLE FOR VARYING WIDTHS

Single Width Gates

The **KEE GATE** single width self closing gate has been designed to easily fit to new or existing structures wherever a gate is required. The hinge mechanism ensures that the gate will always close behind anyone who goes through it thus maintaining a safe barrier around people where required. The gate is made from galvanised steel and can be cut down to size to fit into the required opening. As can be seen from the examples below a **KEE GATE** can be powder coated if preferred. **KEE GATE** is suitable for a variety of applications, either internal or external.



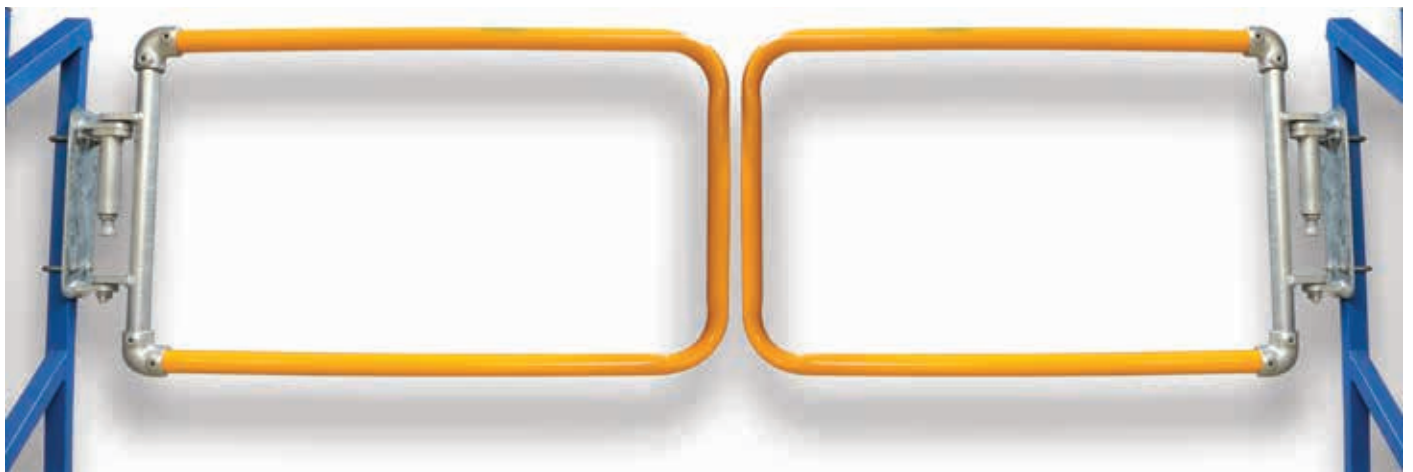
- Maximum width 1 metre, fully adjustable to smaller apertures allows broad flexibility of use
- Reversible, hinges can be on the left or right hand side of an opening to allow easy installation
- Cycle tested for 50,000 openings for assured durability
- Salt spray tested for corrosion resistance (672 hours) to allow continuous operation even in corrosive environments
- Compliant with EN 14122, OSHA & CSA requirements and CE marked for assured, safe operation



Double Width Gates

KEE GATE now has available a double width gate option for larger openings greater than 1m wide. The maximum width for this option is 1.8m. The double gate scenario is still compliant to EN 14122, OSHA and CSA requirements and importantly does not require any locking mechanism to be used by the operator. The gates are both self closing

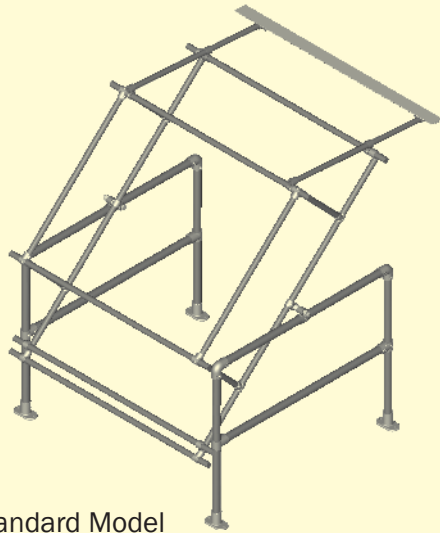
and will form a compliant barrier when a person has passed through the gate. This is achieved by strengthening the attachment and increasing the number of fixings when compared to the single gate option. The double width gate has undergone the same testing regime as the single gate and is available in the same product options.



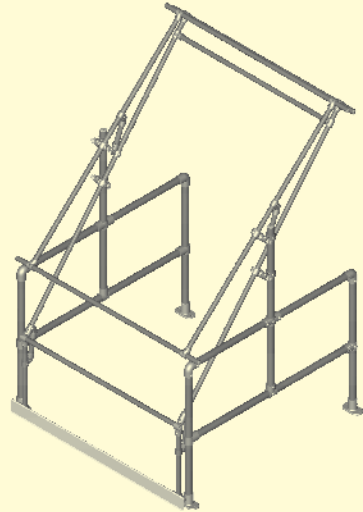
Pallet Gates

KEE GATE now incorporates a range of pallet gates into the portfolio which allow safe working for employees on a mezzanine or raised working surface. The gates are designed to fit seamlessly into a guardrail or barrier and ensure there

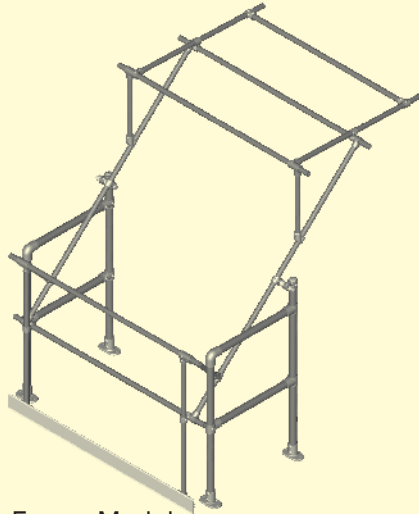
is continuous protection in place while goods are being moved either up to or down from the mezzanine. **KEE GATE** pallet gates are available in four different configurations to suit the type of operation required.



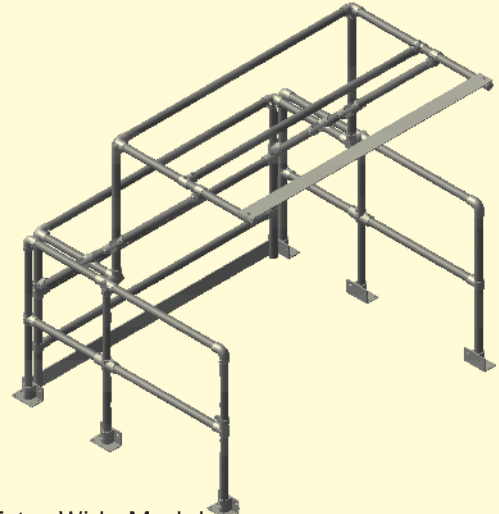
TYPE A - Standard Model



TYPE C – Tall Pallet Model



TYPE B—Narrow Frame Model



TYPE D—Extra Wide Model

- Compliant with EN 14122-3 and OSHA requirements for assured safe operation
- Available in Galvanised steel or Aluminium dependant on customer requirements
- Built using KEE KLAMP and KEE LITE fittings, TUV approved components for quality assurance
- No welded parts so any damage can be easily repaired, keeping the gate operational
- Cycle tested for 50,000 openings for assured durability
- Salt spray tested for corrosion resistance (672 hours) to allow continuous operation even in corrosive environments
- Minimal number of moving parts for lower maintenance
- Will be supplied part assembled to facilitate on site installation

Safety Gate Solutions



Kee Safety LLC
Dubai Investment Park (DIP)
Near Green Community
PO Box 18448
Dubai, UAE

Tel: (+971) 4 8859066
Fax: (+971) 4 8859065

Email: uaesales@keesafety.com
www.keesafety.ae